



HANDRAIL CREATIONS

---



[WWW.HANDRAILCREATIONS.CO.UK](http://WWW.HANDRAILCREATIONS.CO.UK)

# A LITTLE BIT ABOUT US



## THE GO-TO HANDRAIL COMPANY

With our in house design studio, CNC facilities and installation teams we will manage your project from start to finish, we are your single supplier solution. Our award winning team are here to support you with technical guidance and advice, giving you and your client peace of mind.

Even if you don't have drawings available, our 3D scanning tools and dedicated CAD software allow us to measure and manufacture the most complicated of handrails.

Our team, based near Manchester can make your creations a reality – we can manufacture any shape from any hardwood, and pre-join the parts together in our factory for fast, hassle free fitting on site.

## WHERE CRAFTSMANSHIP MEETS PRECISION TECHNOLOGY

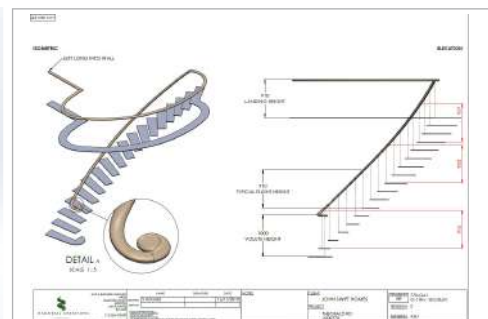
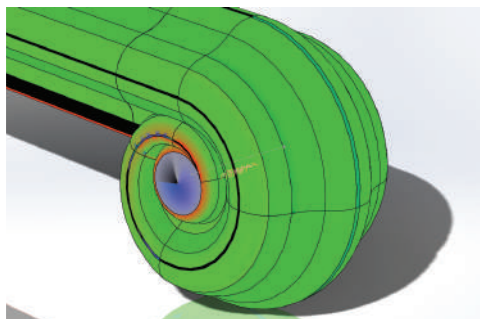
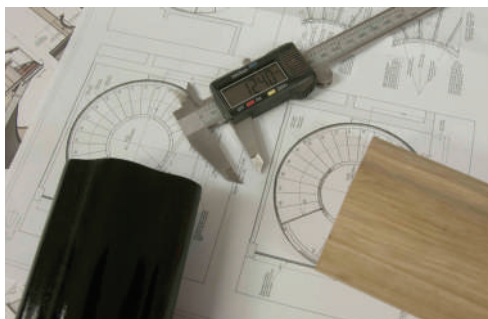
We are at the forefront of technology when it comes to manufacturing wood, and our team have created handrails and balustrades for some of the most prestigious construction projects in Europe; from multimillion pound mansions to Google's headquarters, and from villas in Monaco to the Houses of Parliament.

Whatever your requirements, we have dedicated designers, engineers and craftsmen to help bring your timber handrail to life.



BESPOKE EUROPEAN OAK HANDRAILS OVER FOUR  
FLOORS IN **CENTRAL LONDON ART GALLERY**.

# OUR STEP-BY-STEP PROCESS



## CONSULTATION & DESIGN

Working alongside architects, contractors and clients alike, we will advise the best way to achieve perfect timber handrails and balustrades. No confusing terminology, just great ideas backed up by our proven track record.

We work alongside the finest steel fabricators, stair builders and saddlers in the country, so if there is anything outside of our scope, then we can advise exactly who you need to speak to.

## DIGITAL SURVEYS

Precision is the key to success with bespoke staircases, that's why we have invested in the latest digital surveying technology.

Our handheld scanners are years ahead of other 'arm' based systems or traditional template methods, allowing us to scan in realtime, and build a full colour 3D picture of the staircase and balustrade, to within 0.5mm, giving you peace of mind that our handrails will fit perfectly first time, on time.

## 3D MODELLING

Our design office always has a buzz – each one of our bespoke projects are developed in house with a different set of customer requirements as our top priority.

Our designers are modern day hand carvers, creating soft flowing shapes often in places you wouldn't think possible.

Our design office issues full drawing sets & 3D renders before we manufacture any components, so you can see the full scope of our proposal before we even pick up a piece of wood.



## CNC PROGRAMMING & MANUFACTURE

Our facilities are one of a handful in Europe capable of producing such highly complex timber handrails. Our CNC machines were custom made for us, and each work to a fraction of a millimetre. Our dedicated team of craftsmen work to a rigorous quality management system to ensure all parts are finished accurately and with care.

We pre-joint hand finish and assemble every part before it leaves the factory, so that there are no nasty surprises on site – saving you up to 80% on the fitting phase. Time is money, after all.

## INSTALLATION

When you need a helping hand, our experienced fitting teams have been installing handrails for over 20 years. Our projects have spanned quite literally from 2 steps, to 2,000 steps.

Our projects have ranged from attic stairs, to the second tallest building in Europe – each one with a different balustrade requirements.

Our craftsmen on site are qualified professionals who take pride in the finished product, and our quality guarantee means that we will never leave you disappointed.

## FRENCH POLISHING

Our specialist polishers are on hand to bring your wooden handrails to life, from traditional French polishing to AC commercial grade lacquers, and colour matching. We insist that this stage is always carried out on site, so that there is no 'touching up' to give the most consistent colour and sheen possible.


If you're handrail needs refurbishment, then our track record says it all, working on handrails in the Houses of Parliament and Chatsworth House amongst others.

Your project is in good hands.

# A FEW SNAPSHOTS FROM OUR PORTFOLIO



CLOCKWISE FROM LEFT: PRIVATE RESIDENCE IN LONDON / SPINDLE CONNECTION DETAIL / HUGO BOSS, REGENT STREET  
PRIVATE RESIDENCE IN LONDON / HIGH GLOSS 'RAMS HORN' DETAIL



**THE UNIVERSITY OF ESSEX** IS JUST ONE EXAMPLE TAKEN FROM OUR COMMERCIAL PORTFOLIO, WHICH INCLUDES FLAGSHIP APPLE STORES AND THE US EMBASSY AMONGST OTHERS



HANDRAIL CREATIONS

Unit 6 Burnden Business Park  
Burnden Road  
Bolton  
BL3 2RB

T 01204 370 559

F 01204 391 417

E [info@handrailcreations.co.uk](mailto:info@handrailcreations.co.uk)

W [www.handrailcreations.co.uk](http://www.handrailcreations.co.uk)

